



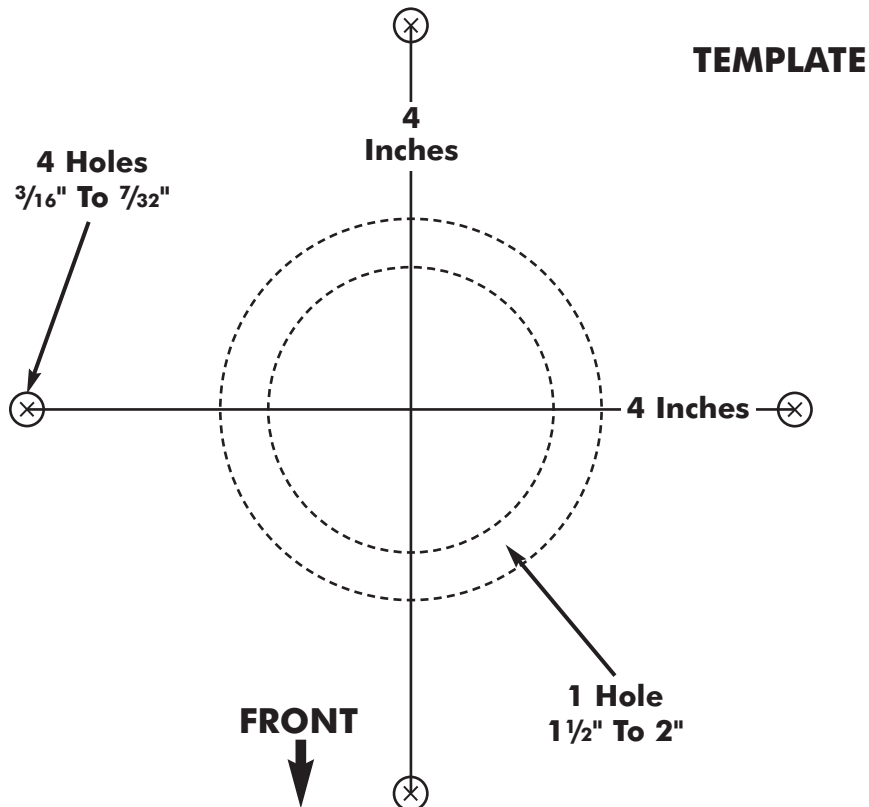
P.O. Box 1377 • Warren, MI 48090  
Ph: (586) 778-8828  
E-mail: spinpro@from-the.net  
Website: <http://spinpro.from-the.net>

## Welded-Aluminum Dusk/Dawn Feeder Mounting Instructions

**! WARNING:** WEAR SAFETY GLASSES TO PREVENT EYE INJURY AND GLOVES TO PROTECT YOUR HANDS FROM SHARP EDGES.

1. Remove the four (4) #10-32 locknuts on top of the feeder funnel. (See illustration.)
2. Locate the center of the barrel, bucket, or drum and determine which direction you want the controls and battery compartment to face. (See Template "FRONT.")
3. Using the template below (or the feeder funnel), mark, then drill, four (4) holes as indicated using a  $\frac{3}{16}$ " or  $\frac{7}{32}$ " bit. (Place feeder funnel back on feeder if used.)
4. Drill or cut a  $1\frac{1}{2}$ " to 2" hole in the center of the container.
5. Attach the feeder to the feed container by inserting the four (4) bolts of the feeder into your container until the feeder funnel is tight against the bottom of your container.
6. Secure the feeder in place by threading the four (4) #10-32 locknuts (removed in Step 1) onto the bolts on the inside of the feed container.

**Do not fill feed container until instructed.**



## ADJUSTMENTS & OPERATION

**! WARNING:** The light sensor (photocell) on the side of this feeder determines when the spinner plate will activate. When activated, the feeder "spins" feed off of the spinner plate at a high rate of speed, tossing it up to 20 feet away from the feeder. To prevent serious injury:

- Keep children at least 50 feet away from the feeder at all times.
- Wear safety glasses whenever you are within 50 feet of the feeder.
- Keep fingers and face away from the spinner plate at all times.
- Never cover the sensor access hole or vary the amount of light entering the light sensor. This may activate feeder.
- Never walk under a hanging feeder.

## INSTALLING THE 6-VOLT FEEDER BATTERY

1. Remove the two thumbscrews that hold on the access cover.
2. Turn both control dials fully counterclockwise (to the left); otherwise, the spinner plate may start to spin when battery is attached.
3. Place a new heavy-duty 6-volt lantern battery in the compartment on the left. **An Eveready Energizer is recommended for trouble-free operation.**
4. Connect the RED positive (+) alligator clip to the outside (+) battery terminal, then connect the BLACK (-) negative alligator clip to the center (-) battery terminal.

## SETTING THE SUNRISE & SUNSET FEED CONTROLS

1. The **Sunrise Control** on the left adjusts how long the spinner plate spins in the morning at dawn. The **Sunset Control** on the right adjusts how long the spinner plate spins in the evening at dusk. Each control can be adjusted to operate the spinner plate from zero to about 20 seconds. Turning either control fully counterclockwise (to the left) will turn that control off. At a 20-second setting, about 5 pounds of feed will be scattered each time the feeder activates.
2. Replace the access cover with the thumbscrews, making sure the battery clips are secure and lead wires are not pinched.

**IMPORTANT:** To eliminate false activations, the photocell (light sensor) in this Dusk/Dawn Feeder has a 20-second delay. It must "see" a light or dark condition for at least 20 seconds before the feeder will activate.

3. Fill feed container with the desired feed, then hang feeder in your selected location. Feeder will now activate automatically at sunrise and/or sunset.

